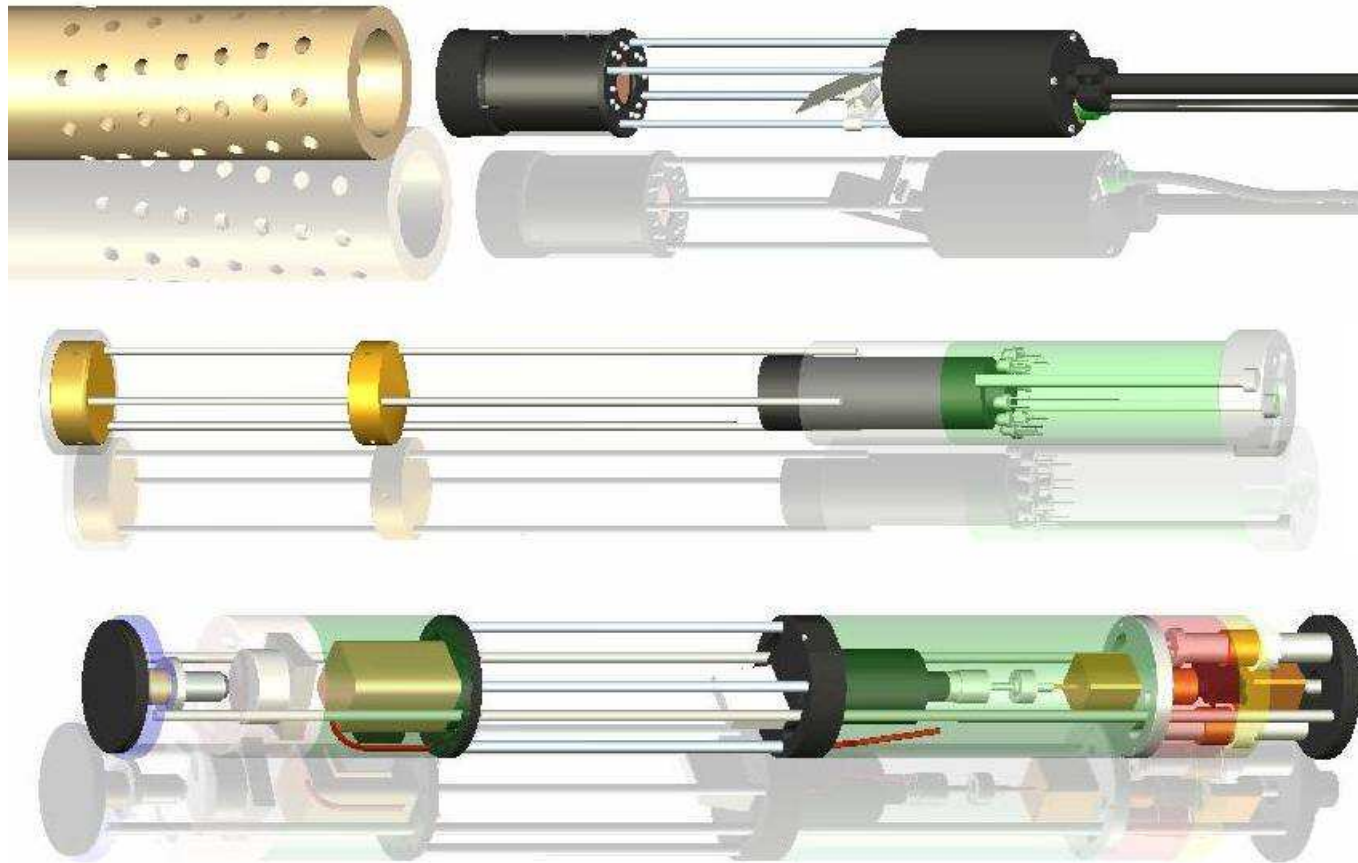


Bore and Chamber Control System Caliber 12,7 mm-203 mm



Bore and Chamber Control System Caliber 12,7 mm-203 mm



info@ditechno.com



Bore Control System Caliber 12,7 mm-203 mm



Bore Control System with pistol grip

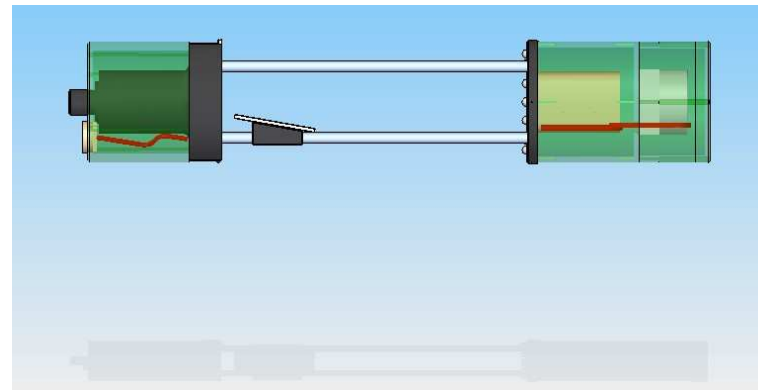
- 3 point measurement
 - Smooth bore measurement
 - Lands measurement
 - Grooves measurement



info@ditechno.com

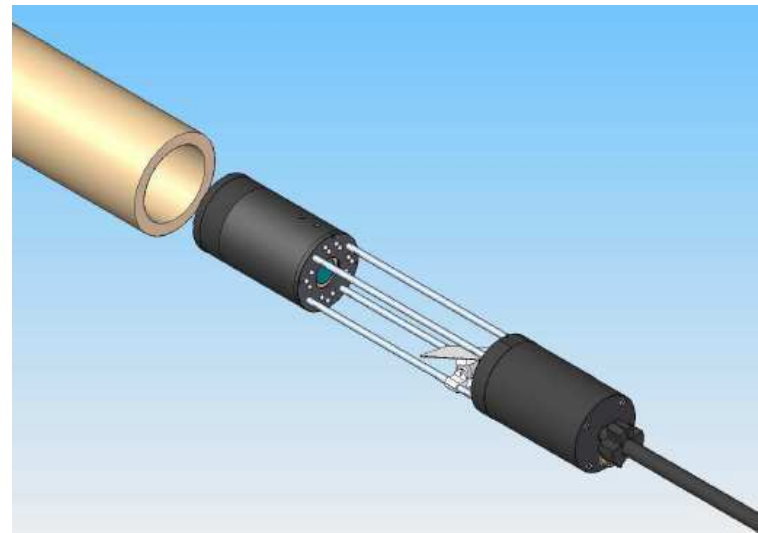
 **ditechno**

Bore Control System Caliber 12,7 mm-203 mm



Bore Control System with pistol grip

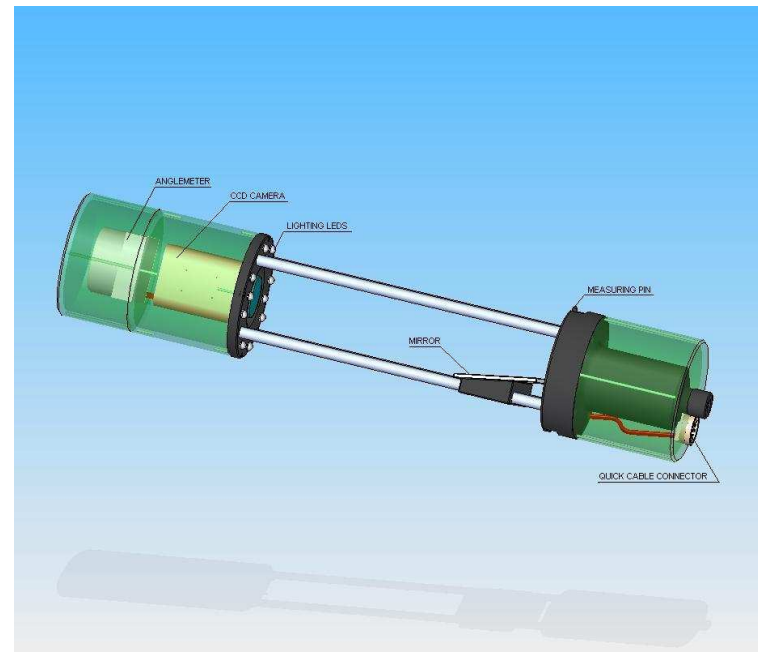
- 2 point measurement
 - Smooth bore measurement
 - Oval measurement



Bore Control System Caliber 12,7 mm-203 mm

Bore Control System with pistol grip

- 1 point measurement
 - Erosion measurement
 - Bore evacuator holes measurement



Chamber Control System Caliber 12,7 mm-203 mm

Chamber Control System

- Diameter measurement
- Length measurement



Chamber Control System Caliber 12,7 mm-203 mm



Chamber Control System

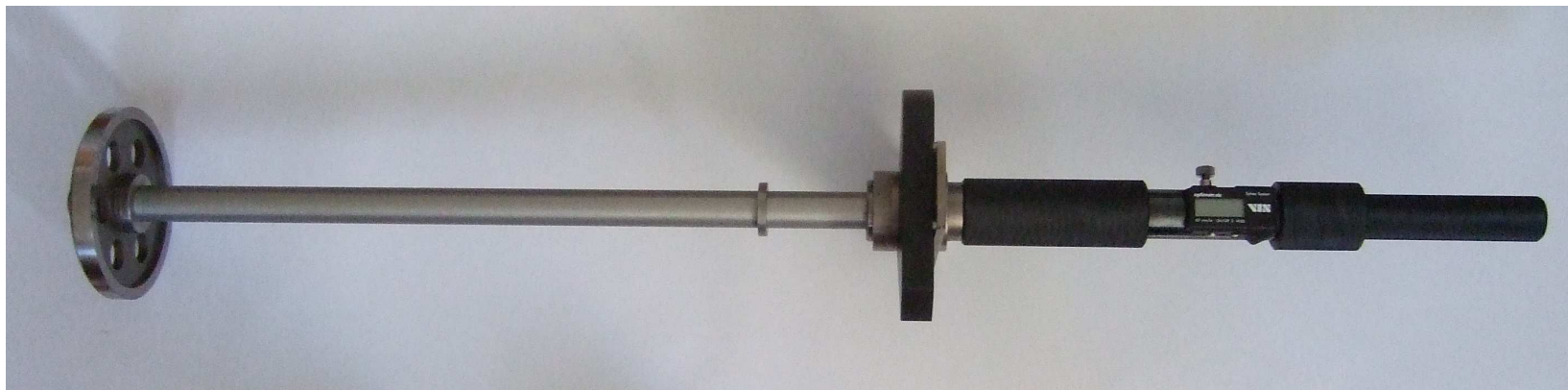
- Variable diameter
- Fixed length



info@ditechno.com

ditechno

Chamber Control System Caliber 12,7 mm-203 mm

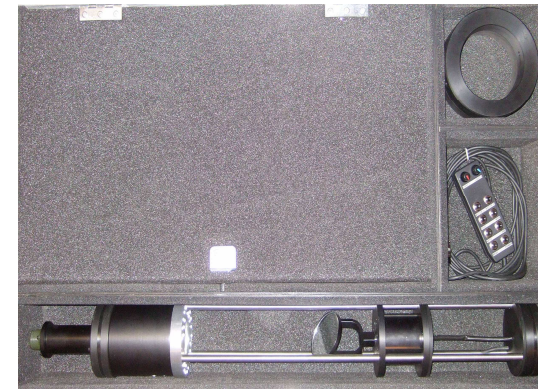
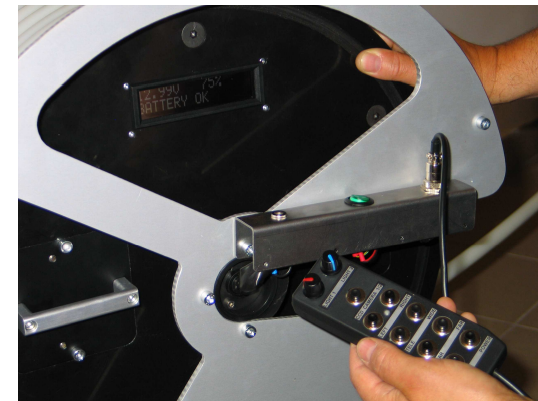
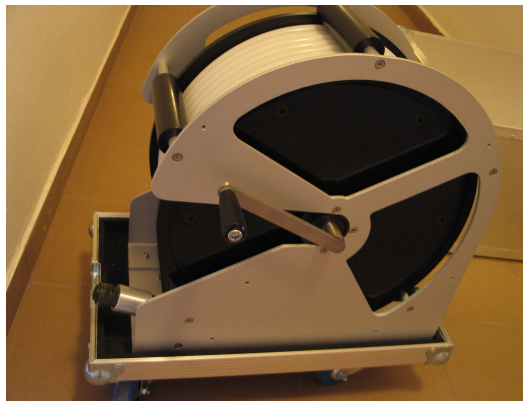
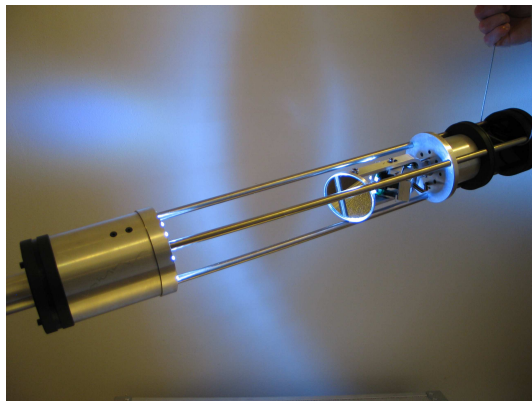


Chamber Control System

- Variable chamber length
- Fixed diameter



Bore Inspection System Caliber 12,7 mm-203 mm



info@ditechno.com

